

LFE SERIES Outdoor Lighting

LFE-15W-MCT-KN-P

COMPACT FLOOD LIGHT WITH PHOTOCELL



MCT

Selection:

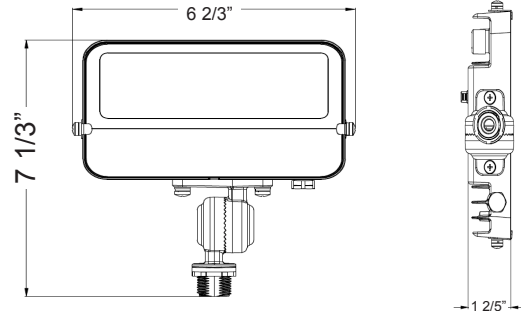


Customer Name: _____

Project Name: _____

Note: _____

Type: _____



7 1/3" (H) x 6 2/3" (W) x 1 2/5" (D)

Ideal for general site lighting, alleys, loading docks, doorways, pathway, parking areas. Replace existing HID flood lights/wall packs. Great for use with motion sensors or other instant on/off controls. Solid state lighting technology for long life, low maintenance and high efficiency.

Features

- 90° Adjustable 1/2" Knuckle Mount
- MCT: Multi Color Temperature (Switch On The Back of Fixture With Silicon Cover)
- 7-Year Warranty
- 70,000 hours rated life
- Low Maintenance Needed and High Efficiency

Technical Specifications

Electrical:

- Voltage: 120 VAC 50/60Hz
- Wattage: 15W
- Power Factor: >0.9
- Efficacy: 106 LPW
- THD: <25%

Mechanical:

- Die-Cast Aluminum Housing With Powder Coat Finish (Dark Bronze Finish)
- Solid State Lighting Technology For Long Life, Low Maintenance Needed and High-Efficiency
- High Conductive Aluminum LED Board
- Integrated DC Button Photocell Included
- IP Rating: IP65
- Operating Temperature: -40°F to 104°F
- Suitable for Wet Locations

Lighting:

- Cord type: 18" SJTW 18/3 AWG cable
- MCT: Multi Color Temperature (Switch On The Back of Fixture With Silicon Cover)
- Total lumens: 1600LM
- Color temperature: 3000K/ 4000K/ 5000K
- Color rendering index: CRI > 70
- Beam Angle: 120° x 90°

Applications:

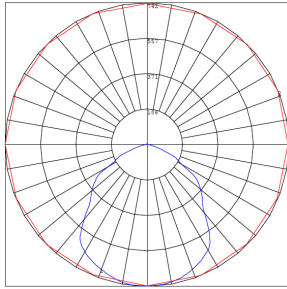
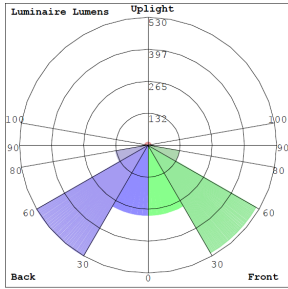
- Ideal for general site lighting, alleys, loading docks, doorway, pathway and parking areas.
- Replace existing HID flood lights/ wall packs
- Great for use with motion sensors or other instant on/off controls

Other Models:

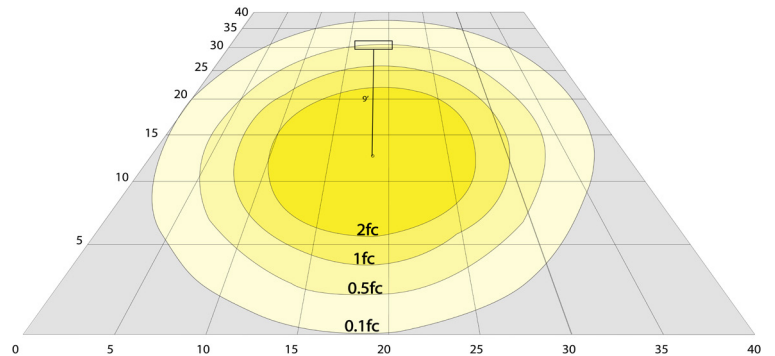
- 30W | 3150LM | LFE-30W-MCT-KN-P
- 50W | 5250LM | LFE-50W-MCT-KN-P



Photometrics: LFE-15W-MCT-KN



BUD Rating: B1-U2-G0



Area 40'x 40' Mounting Height: 9'

Other Views:



Side View



Front View



Back View

Performance Table: LFE-15W-MCT-KN

MODEL NO.	Wattage	Voltage	Lumens	Color Temp.	BUG Rating	LPW
LFE-15W-MCT-KN	15W	120V	1600LM	3000K 4000K 5000K	B1-U2-G0	106

Sample Ordering

Model Wattage Color Temp.

LFE - 15W - MCT - KN

Accessories Options

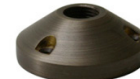
Blank = No Option For Accessories

WRC-3-BRZ =Weatherproof cover with three(3) 1/2" hubs

ACCESSORIES AND MOUNTING OPTIONS



WRC-3-BRZ
Weatherproof cover with
Three
(3) 1/2" hubs



B-41



Mounts to landscape post
or any 1/2" hub



Fully adjustable 1/2"
threaded knuckle for aiming
versatility

Example:

- LFE-15W-MCT-KN
WRC-3-BRZ

(For LFE 15W MCT fixture 120V)
(Weatherproof cover with three(3) 1/2" hubs)

